



# EZcare™ T-Stand for Companion Birds

### Assembly Instructions for:

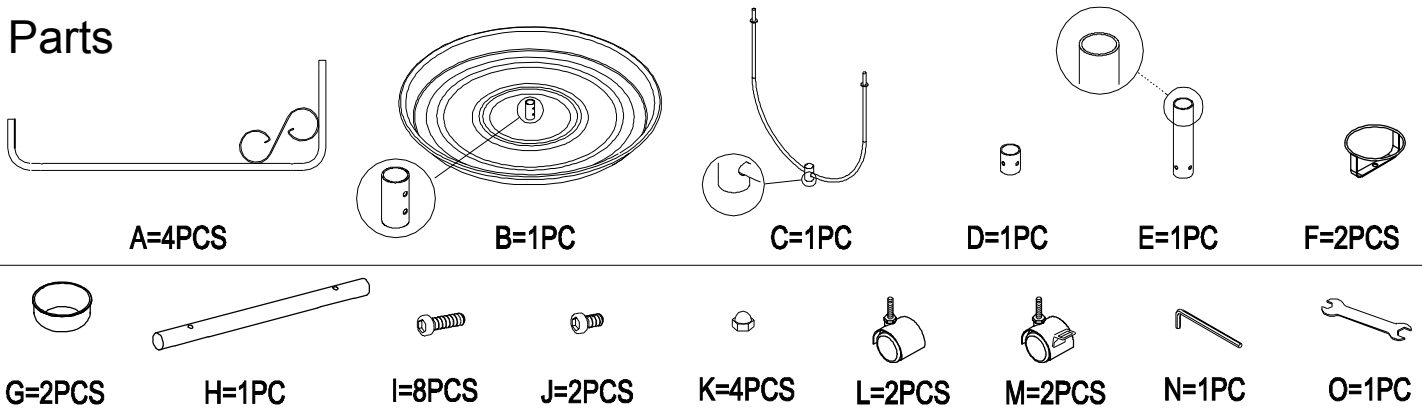
45125803563 100501092

Kaytee® EZ Care™ T-Stand Large

45125803549 100501094

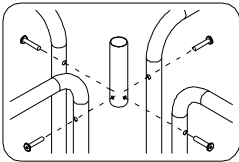
Kaytee® EZ Care™ T-Stand Medium

## Parts

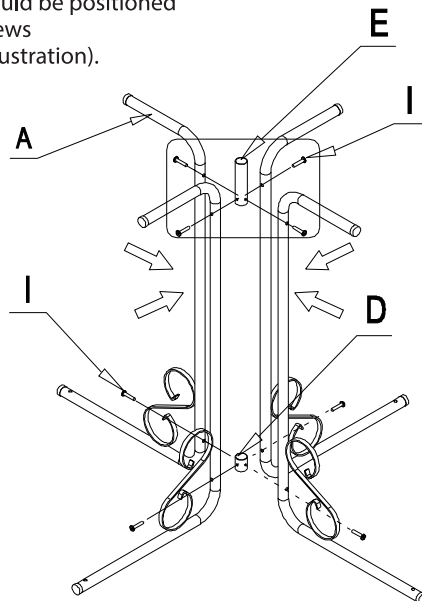
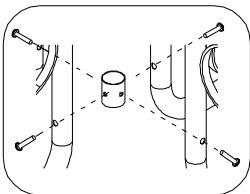


## Steps

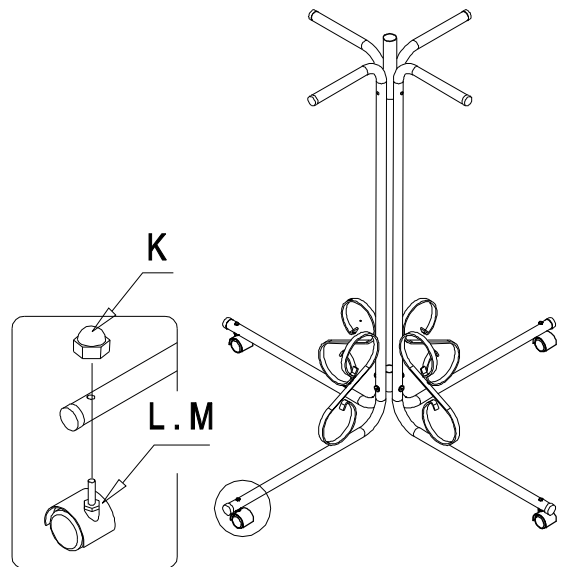
- 1** Assemble 4 Leg Stands to the Long Connect Tube, and secure with Long Screws as shown. Note: Long Connect Tube should be positioned so that the end to receive screws is pointing downward. (see illustration).



- 2** Assemble 4 Leg Stands to the Short Connect Tube, and secure with Long Screws as shown.



- 3** Screw 4 Casters on to the base of Leg Stands, and secure with Screws as shown.



### Important:

Carefully Unpack and Sort All Components on the Parts List

If your new pet home has experienced damage shipping, please do not return your cage to the store.

Our Customer Service Department is available to help with any problems.

Our Toll-Free Number (within the USA and Canada only) is 888-255-4527 or call 414-423-8544

Monday-Friday from 8:00 a.m. to 4:00 p.m. (Central Standard Time).

### SAVE YOUR INSTRUCTIONS FOR FUTURE REFERENCE

Manufactured by: Kaytee Products, Inc., Chilton, WI 53014 USA

©2015 KAYTEE Products, Inc.

For more information on bird and small animal products, visit us at: [Kaytee.com](http://Kaytee.com)



# EZ Care™ T-Stand for Companion Birds

## Assembly Instructions for:

45125803563

100501092

Kaytee® EZ Care™ T-Stand Large

45125803549

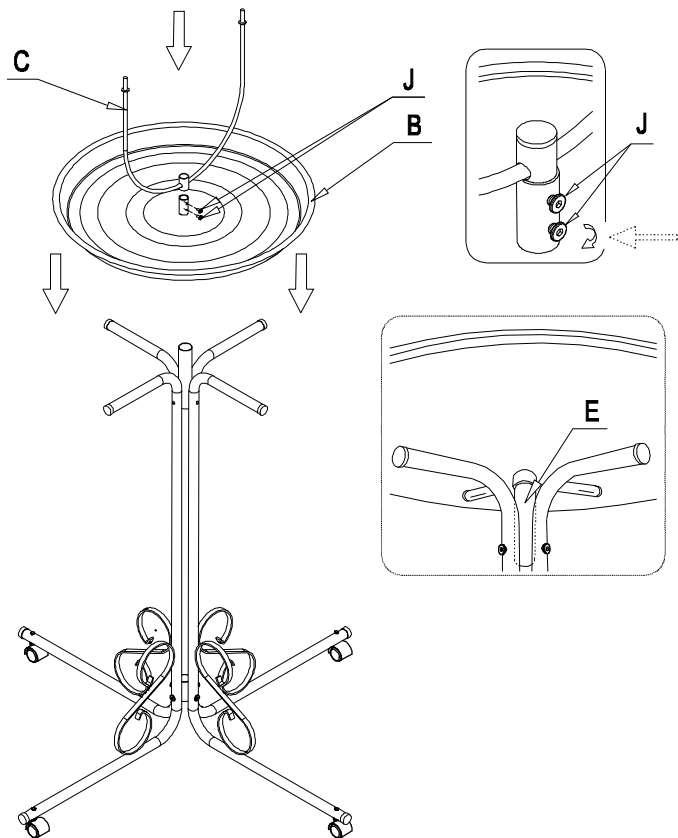
100501094

Kaytee® EZ Care™ T-Stand Medium

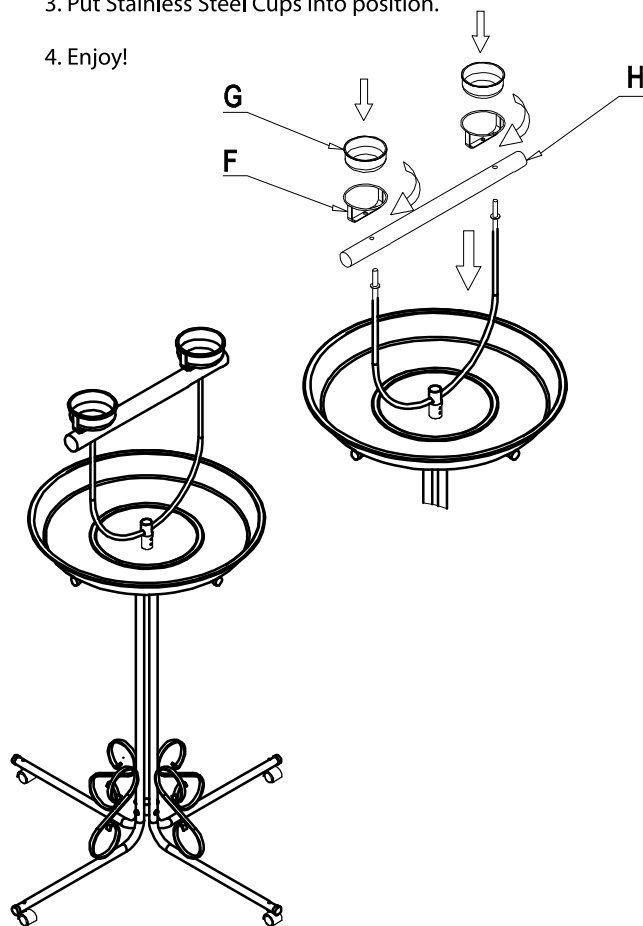
### Steps

- 4** 1. Insert Pan onto end of Long Connect Tube, important note: please firstly secure with Short Screw in lower position as shown.

2. Then insert U Shape Perch Holder on to Pan, and secure with Short Screw in upper position as shown.



- 5** 1. Insert Perch on to U Shape Perch Holder.  
2. Screw Cup Holders on to U Shape Stand until Perch is stable and secure.  
3. Put Stainless Steel Cups into position.  
4. Enjoy!



### Important:

Carefully Unpack and Sort All Components on the Parts List

If your new pet home has experienced damage shipping, please do not return your cage to the store.

Our Customer Service Department is available to help with any problems.

Our Toll-Free Number (within the USA and Canada only) is 888-255-4527 or call 414-423-8544

Monday-Friday from 8:00 a.m. to 4:00 p.m. (Central Standard Time).

**SAVE YOUR INSTRUCTIONS FOR FUTURE REFERENCE**

Manufactured by: Kaytee Products, Inc., Chilton, WI 53014 USA

©2015 KAYTEE Products, Inc.

For more information on bird and small animal products,  
visit us at: [Kaytee.com](http://Kaytee.com)